

THE FINE PRINT

THANK YOU AND WELCOME!

Hello! Thank you for buying Momentum Electric. Excited? We share your excitement but first, please register your bike online for warranty at <http://momentumelectric.com/warranty-registration> and read the entire manual carefully before using the product. If you ever have any questions, please do not hesitate to contact us. We are always ready to help!

☎ +44 333 011 7777

✉ aftersales@momentumelectric.com

🌐 www.momentumelectric.com

CLEANING THE BIKE

Use a dry or damp towel to clean the bike. Do not use steam or high-pressure cleaners. Do not immerse the bike in water. When wiping down the battery, do not touch or short circuit the contacts on the underside. Do not immerse the battery in water. Treat parts liable to corrosion with anti-corrosion agents. Never use cleaning, lubricating or anti-corrosion agents on the rims as it can drastically reduce the braking performance. Always test the brakes after cleaning and before riding the bike.

IMPORTANT INFORMATION

The bike is designed for public road use. Do not ride off-road or in water. The bike is intended to be used by only one person. The permitted gross vehicle weight (bike + rider + luggage + towed trailers) is 120kg. The manual makes no representation about the safe use of the bike under all conditions. Have an initial inspection carried out by a specialist cycle shop after the first 250km or four to six weeks as the spokes of the wheels will settle, the brake cables will increase slightly and the bearings will run in during the first weeks of riding. This is important for the acceptance of claims made under the terms of warranty. Make sure you know and practice the rules of safe and responsible riding. Read and follow the national legal requirements of the country where you are riding and comply with all applicable traffic laws. When riding in the dark, wear reflective clothing and use front and rear lights. In legal terms, the electric bicycle is called EPAC (Electrically Power Assisted Cycles). This means it conforms to the European product safety standard EN15194 standard of a maximum nominal motor power output of 250W and the motor switches off above speeds of 25km/h. The electric motor provides assistance as long you are pedalling. Technical detail and illustrations of this manual are subject to change.

WARRANTY TERMS

The Company warrants that Momentum Electric Products will be free from defect in design, workmanship or materials in the case of the frame for 5 years and in the case of electricals for 2 years, in each case calculated from the date of purchase, subject to the following:

- Such warranty excludes normal wear and tear on tyres, brakes, chain, cables and similar parts;
- Momentum Electric Product must have been used in all respects in accordance with the owner's manual and the Company's recommendations and any failure caused or contributed to by noncompliance with the same is excluded;
- Any failure caused or contributed to by any maintenance or repair carried out otherwise than in accordance with our recommendations is excluded;
- Any failure caused or contributed to by the fitment or use of any part, accessory or other item which is not recommended by the Company is excluded;
- Notice of claim under the warranty must be received by the Company within the applicable period referred to above;
- The Company's warranty here is in place of any other warranty, whether express or implied, all of which are expressly excluded by the Company.

COPYRIGHT NOTICE

No part of this manual may be reproduced, copied, modified or adapted, without the prior written consent of the Momentum Electric Limited.

2W2.UM2

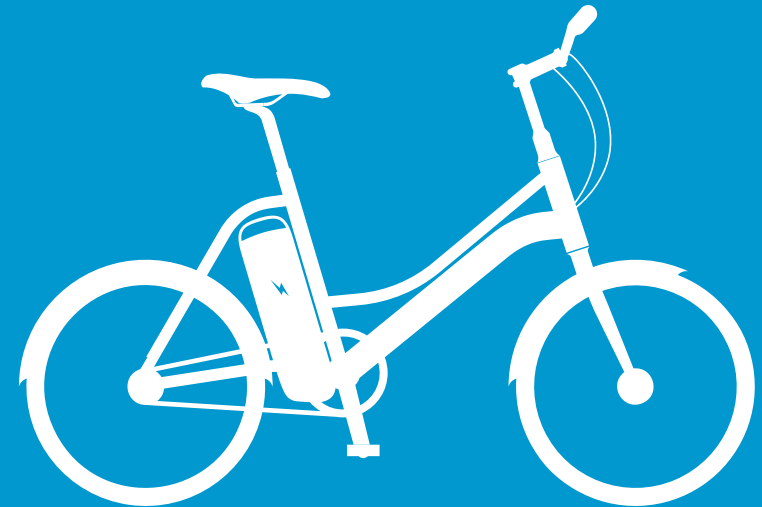
CONTACT INFORMATION

Our registered address is:
Momentum Electric Limited
Cornelius Drebber House
5 Empson Street
London E3 3LT
United Kingdom



MOMENTUM ELECTRIC

2WENTY

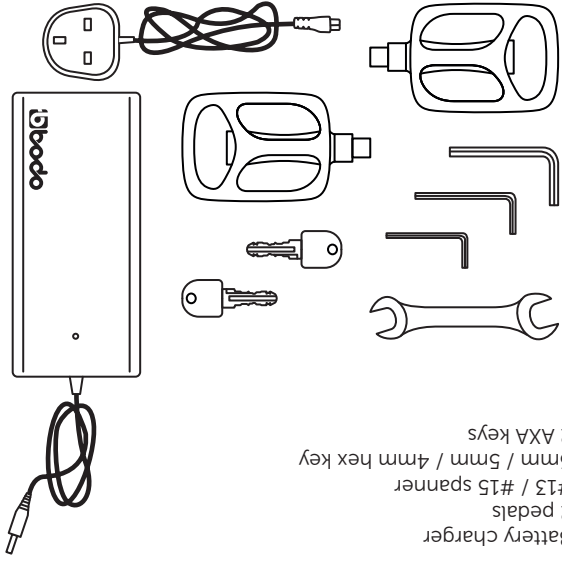


USER MANUAL

BEFORE FIRST USE

IN THE LITTLE BOX

- Battery charger
- 2 pedals
- #13 / #15 spanner
- 6mm / 5mm / 4mm hex key
- 2 AXA keys

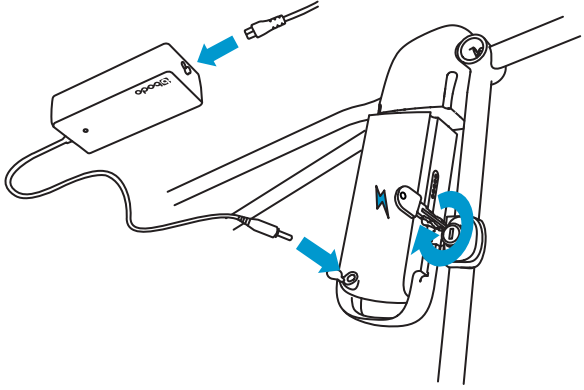


- ### ADJUST SADDLE
- Move the **quick-release lever** to the open position to loosen the **seatpost clamp** and adjust the saddle height.
 - Sit on the bike saddle.
 - Place one heel on a pedal and push down until it is at the lowest position. Your leg should be straight.
 - Place the balls of your feet on the centre of the pedal. Your knee should be slightly bent.
 - Tighten **seatpost clamp** by moving the **quick-release lever** to the close position.



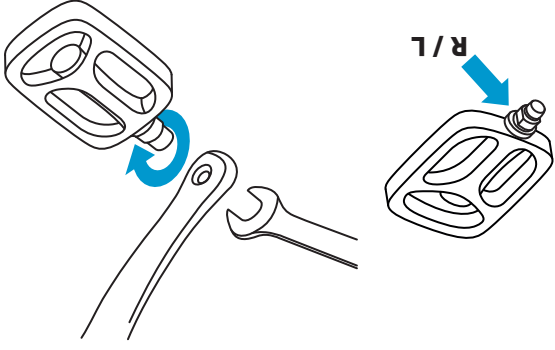
CHARGE THE BATTERY

- Insert the mains plug into an electrical socket and on the battery, open the charging socket cover and insert the charger plug.
- The charger indicator light will turn red indicating that the battery is charging; light will turn green when is fully charged.
- Unplug the battery from the charger plug and close the charging socket cover.



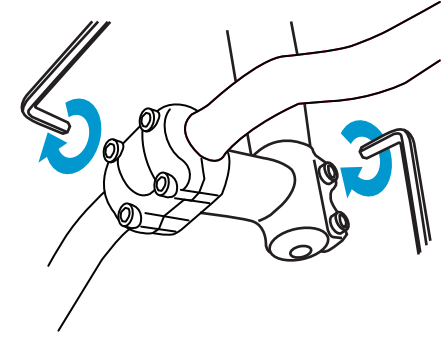
ASSEMBLE PEDALS

- Look closely at the pedals to identify the right and left pedals.
- Using a **#15 spanner**, affix the **right pedal** by screwing it clockwise to 30Nm into the right crank.
- From the left side of the bicycle, affix the **left pedal** by screwing it anti-clockwise to 30Nm into the left crank.



'M' CHECK

- The M Check is a methodical check of the bike in the shape of the letter M.
- It is good practice to do the M Check before every ride.
- If time is tight, at the very least, check the **brakes, tyres, chain** and that the **key has been removed** before each ride and do the M Check at least twice a month.

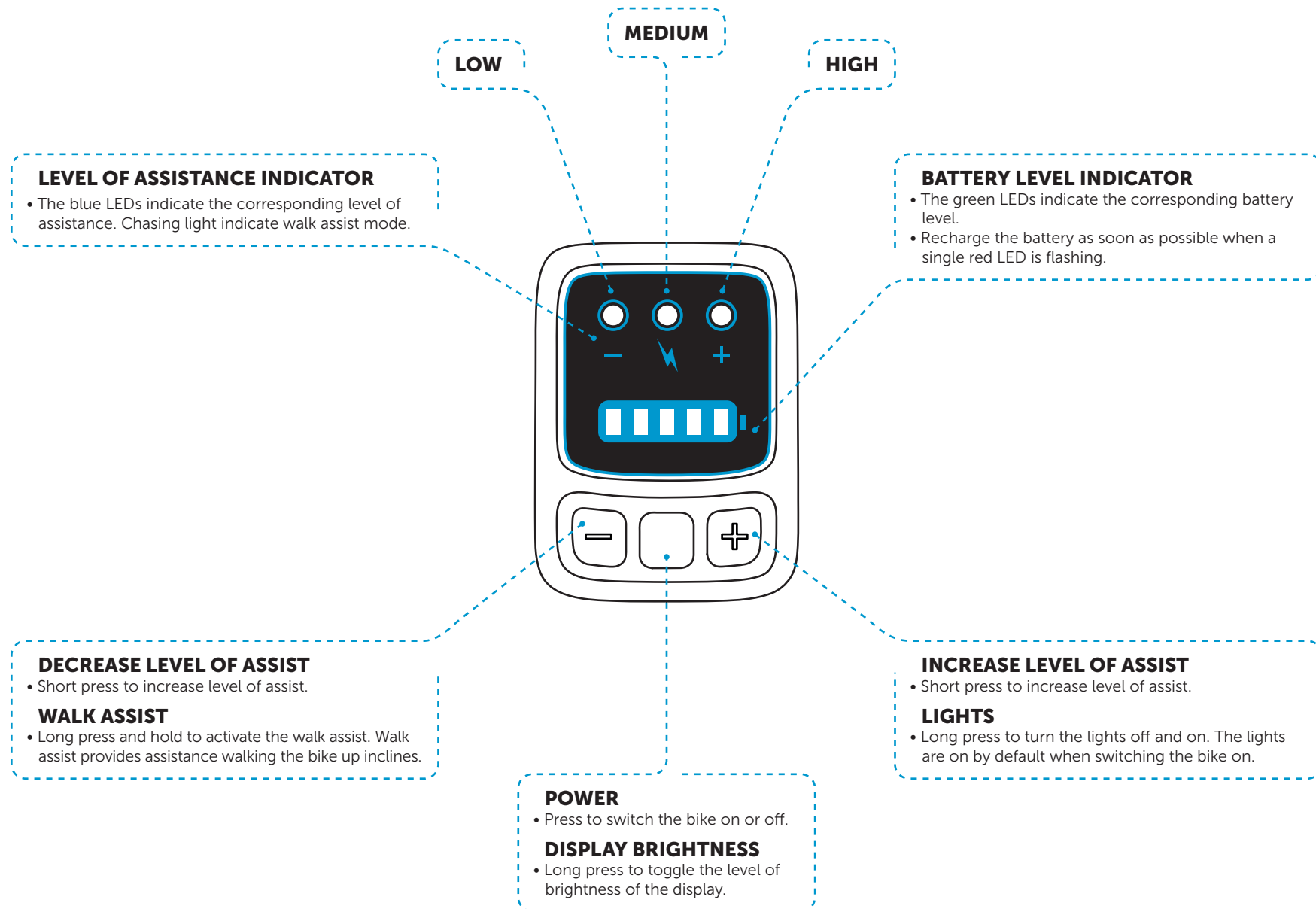


ASSEMBLE HANDLEBARS

- The handlebar must be aligned with the front wheel.
- To do this, loosen the **handlebar clamp bolts** with the **4mm hex key** to adjust the handlebar angle.
- Move the handlebar to be at a perfect right angle to the wheel.
- Use the **4mm hex key** to tighten the **handlebar clamp bolt** clockwise.

HMI DISPLAY

The LED **HMI display** controls the functions of the bike and provides visual feedback.



THE M CHECK

The **M Check** is a methodical check of the bike in the shape of the letter M.

Before every ride, check that:

SADDLE

- The **saddle** is of the correct height and angle, aligned to the frame and secure without the minimum insertion line visible. Check if the saddle is secure by holding the front and back of the saddle and twisting it.

COCKPIT

- The **handlebar** is able to turn the front wheel freely and at the correct height and angle. Check if the handlebar is secure by holding the front wheel between your legs and moving the handlebar from side to side.
- The **stem** is aligned to the front wheel and secure without the minimum insertion line visible.
- Both **brakes** are effective when the levers are squeezed.
- The **headset** has no play and is secure by applying the front brake and pushing the bike forwards and backwards.

REAR WHEEL

- The **tyre** has the correct pressure, sufficient tread and does not have any cracks or bulges.
- The **rim** is in good condition and without any distortion.
- The **spokes** are all secure by running your hand across them gently.
- The **wheel** is true, securely fixed and turns freely without wobbling.
- The **brake pads** are not worn and in good condition, securely fixed in the correct position and not rubbing against the tyre.
- The **mudguard stays** are securely fixed and not causing interference with the wheel.
- The **rear light** is working.
- The **rear pannier rack** and load are securely fixed.

BOTTOM BRACKET

- The **cranks** are secure by holding the seat tube with one hand and the crank with the other to check.
- The **pedals** are securely fixed.
- The **chain** is lubricated, able to run freely and of the correct tension.
- The **battery** has sufficient charge and securely locked in position.
- The **key** has been removed from the lock.

FRONT WHEEL

- The **tyre** has the correct pressure, sufficient tread and does not have any cracks or bulges.
- The **rim** is in good condition and without any distortion.
- The **spokes** are all secure by running your hand across them gently.
- The **wheel** is true, securely fixed and turns freely without wobbling.
- The **brake pads** are not worn and in good condition, securely fixed in the correct position and not rubbing against the tyre.
- The **mudguard stays** are securely fixed and not causing interference with the wheel.
- The **front light** is working.
- The **motor cable** is connected and not causing interference with the wheel.



GETTING TO KNOW YOUR BICYCLE

BATTERY

Removing the battery

- The battery can only be removed from the left side of the bicycle with the key.
- Insert the key into the lock and turn a quarter turn clockwise.
- The battery will unlock from the housing.
- Tilt the battery towards you and lift it out by the handle.
- Remove the key immediately after unlocking the battery.

⚠ NEVER CYCLE WITH THE KEY IN THE LOCK.

Replacing the battery

- The key is not required to replace the battery back on the bicycle.
- Place the base of the battery in the housing at an angle, ease it into position and click into place.

Charging the battery

- Battery leaves the factory in deep sleep mode charge before first use
- Insert the mains plug into an electrical socket and place the charger on a flat surface with charger indicator light facing up.
- On the battery, open the charging socket cover and insert the charger plug.
- The charger indicator light on the charger will turn red indicating that the battery is charging.
- The charger indicator light will turn green when the battery is fully charged.
- The state of charge LEDs on the battery will indicate the charging status while charging.
- Unplug the battery from the charger plug and close the charging socket cover.
- The battery can be charged on the bicycle or off it.

⚠ ALWAYS ENSURE THAT THE WATERPROOF CHARGING SOCKET COVER IS CLOSED AFTER CHARGING.

Ordering spare keys

- Spare keys can be ordered online through the AXA Key service website at <https://keyservice.axa-stenman.com>

SADDLE

Saddle height

- Move the **quick-release lever** to the open position to loosen the **seatpost clamp** and adjust the saddle height. Sit on the bike saddle.
- Place one heel on a pedal and push down until it is at the lowest position. Your leg should be straight.
- Place the balls of your feet on the centre of the pedal. Your knee should be slightly bent.
- Move the **quick-release lever** to the close position to tighten the **seatpost clamp**.

⚠ DO NOT MOVE THE SADDLE BEYOND THE MINIMUM INSERT LINE AS THIS WILL DAMAGE THE BIKE OR CAUSE POTENTIAL INJURY.

Saddle angle

- Using the **6mm hex key**, loosen the **bolt** underneath the saddle by turning it anticlockwise.
- Tilt the saddle to the desired angle. The optimal angle is horizontal.
- Tighten the **bolt** to 20-30Nm.

COCKPIT

Handlebar height, angle and reach

- Move the **quick-release lever** to the open position and adjust the stem height.
- Sit on the saddle and adjust the stem until it is in a comfortable position.
- Move the **quick-release lever** to close position to lock the stem in place.
- Loosen the **handlebar clamp bolts** with the **4mm hex key** to adjust the handlebar angle.
- Sit on the saddle and rotate the angle of the handlebar until it is in a comfortable position.
- Ensure that the handlebar is centred exactly before tightening the **handlebar clamp bolt** securely to 25Nm.
- The brake levers and handlebar display positions may need to be adjusted after making these adjustments.

Brake lever angle

- Loosen the **brake lever clamp screw** with the **4mm hex key** to adjust the brake lever position.
- The rider's fingers, hand and lower arm should be in a straight line when sitting on the saddle. Tighten screw to 6-8Nm.

Handlebar HMI display position

- Loosen the **handlebar display clamp bolt** with a **3mm hex key** to adjust the handlebar display position.
- Tighten screw to 2-3Nm.

REAR BRAKE

Brake lever adjustment
Refer to front wheel.

Brake block position
Refer to front wheel.

FRONT MUDGUARD

Checking the mudguard
Check that the front **mudguard stay bolt** is secure - tighten to 5Nm.

REAR MUDGUARD

Checking the mudguard
Refer to front wheel.

FRONT BRAKE

⚠ THE LEFT BRAKE LEVER IS FOR THE REAR WHEEL AND THE RIGHT LEVER IS FOR THE FRONT WHEEL.

Brake lever adjustment

- Loosen the brake cable anchor bolt with the **5mm hex key**.
- Hold the brake arms together and pull the cable end taut.
- Tighten the **cable anchor bolt** to 1-2Nm. Depress brake lever fully about ten times. Check and make further adjustments, if necessary.
- The brake lever should have about 15mm of play with recommended brake rim clearance of 1-2mm.

Brake block position

- Use the **5mm hex key** to adjust the **brake block**.
- Tighten to 5-7Nm.

⚠ CHECK THE BRAKE BLOCKS REGULARLY FOR SIGNS OF WEAR. IF NO NOTCHES OR GROOVES ARE VISIBLE, REPLACE IMMEDIATELY.

REAR WHEEL

Rear wheel removal

- Loosen the brake cable anchor bolt with the **5mm hex key**.
- Pull the chain away from the rear sprocket and place it on the axle.
- Loosen the **wheel nut** with a **#15 spanner**.
- Remove the rear wheel from the rear dropout.

Rear wheel reinstallation

- Place the rear wheel on the dropout ensuring that the sprocket is on the right hand side.
- Replace the chain onto the rear sprocket.
- Ensure the wheel is centred and the chain is the correct tension. Tighten the **wheel nut** to 30-40Nm with a **#15 spanner**.
- Replace the chain on the rear sprocket.
- Adjust and tighten the brake cable anchor bolt and check that the brake works.

Inflating the tyre through the Schrader valve

Refer to front wheel.

Checking the rims and spokes

Refer to front wheel.

Checking the tyre tread

Refer to front wheel.

Spare tyres and tubes

Refer to front wheel.

CHAIN

Oiling the chain

Clean and lubricate your bike chain regularly.

i REGULARLY CLEAN AND LUBRICATE THE CHAIN WITH PRODUCTS RECOMMENDED FOR BICYCLE CHAINS

Adjusting the chain tension

- Loosen **rear wheel nuts** with the **#15 spanner**.
- Pull the wheel back into the dropouts until the right amount of play is in the chain.
- Tighten the **rear wheel nuts** to 30-40Nm.

⚠ THE CHAIN SHOULD BE REPLACED BY A PROFESSIONAL BIKE WORKSHOP AFTER 3000KM

PEDAL

Affixing the pedals

- Look closely at the pedals to identify the right and left pedals.
- Using a **#15 spanner**, affix the **right pedal** by screwing it clockwise to 30Nm into the right crank.
- From the left side of the bicycle, affix the **left pedal** by screwing it anti-clockwise to 30Nm into the left crank.

⚠ PEDALS ARE ASSIGNED TO RIGHT AND LEFT, THEY ARE NOT INTERCHANGEABLE.

FRONT WHEEL

Front wheel removal

- Ensure the bicycle is turned off.
- Loosen the brake cable anchor bolt with **5mm hex key**.
- Remove the C-clip below the motor cable connector with a Phillips head screwdriver.
- Disconnect the motor cable connector.
- Loosen the **wheel nut** with a **#15 spanner**.
- Remove the front wheel from the front dropout.

Front wheel reinstallation

- Replace the washers in the correct order.
- Place wheel on dropout ensuring that the cable is on the right-hand side and below the dropout.
- Tighten the **wheel nut** to 30-40Nm with a **#15 spanner**.
- Adjust and tighten the brake cable anchor bolt and check that the brake works.
- Connect the motor cable connector ensuring that the arrows line up.



- Replace the C-clip.

Inflating the tyre through the Schrader valve

- Unscrew the Schrader valve cap to inflate the tyre.
- Inflate to 3.5 bar.

⚠ NEVER EXCEED THE MAXIMUM VALUE EMBOSSED ON THE SIDEWALL OF THE TYRE

Checking the rims and spokes

Check spokes are tight, check rims for wear and distortion.

Checking the tyre tread

Check the tyre for wear, check for sufficient tread.

Spare tyres and tubes

Replace tyres and tubes with size 50-406.

⚠ BRAKES CAN CAUSE WHEEL RIMS TO BECOME WORN. IF YOU NOTICE CRACKS OR FORM CHANGES IN THE RIMS, HAVE THEM CHECKED OR REPLACED BY A PROFESSIONAL BIKE WORKSHOP. CHECK THE CONDITION OF THE WHEEL RIMS CAREFULLY EVERY 500KM.